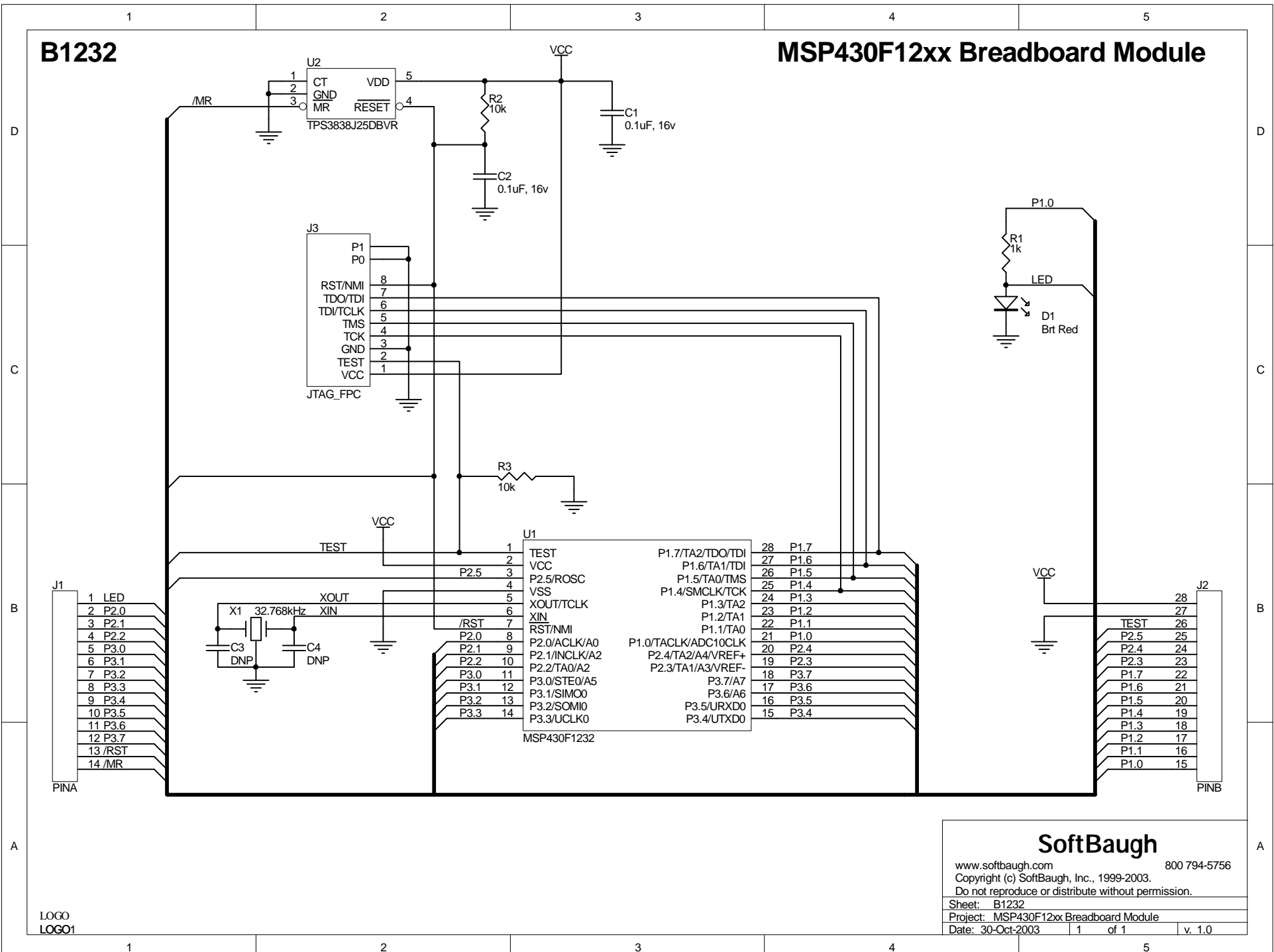


B1232

MSP430F12xx Breadboard Module



SoftBaugh

www.softbaugh.com 800 794-5756

Copyright (c) SoftBaugh, Inc., 1999-2003.

Do not reproduce or distribute without permission.

Sheet: B1232

Project: MSP430F12xx Breadboard Module

Date: 30-Oct-2003 1 of 1 v. 1.0

LOGO
LOGO1