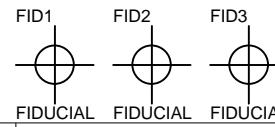
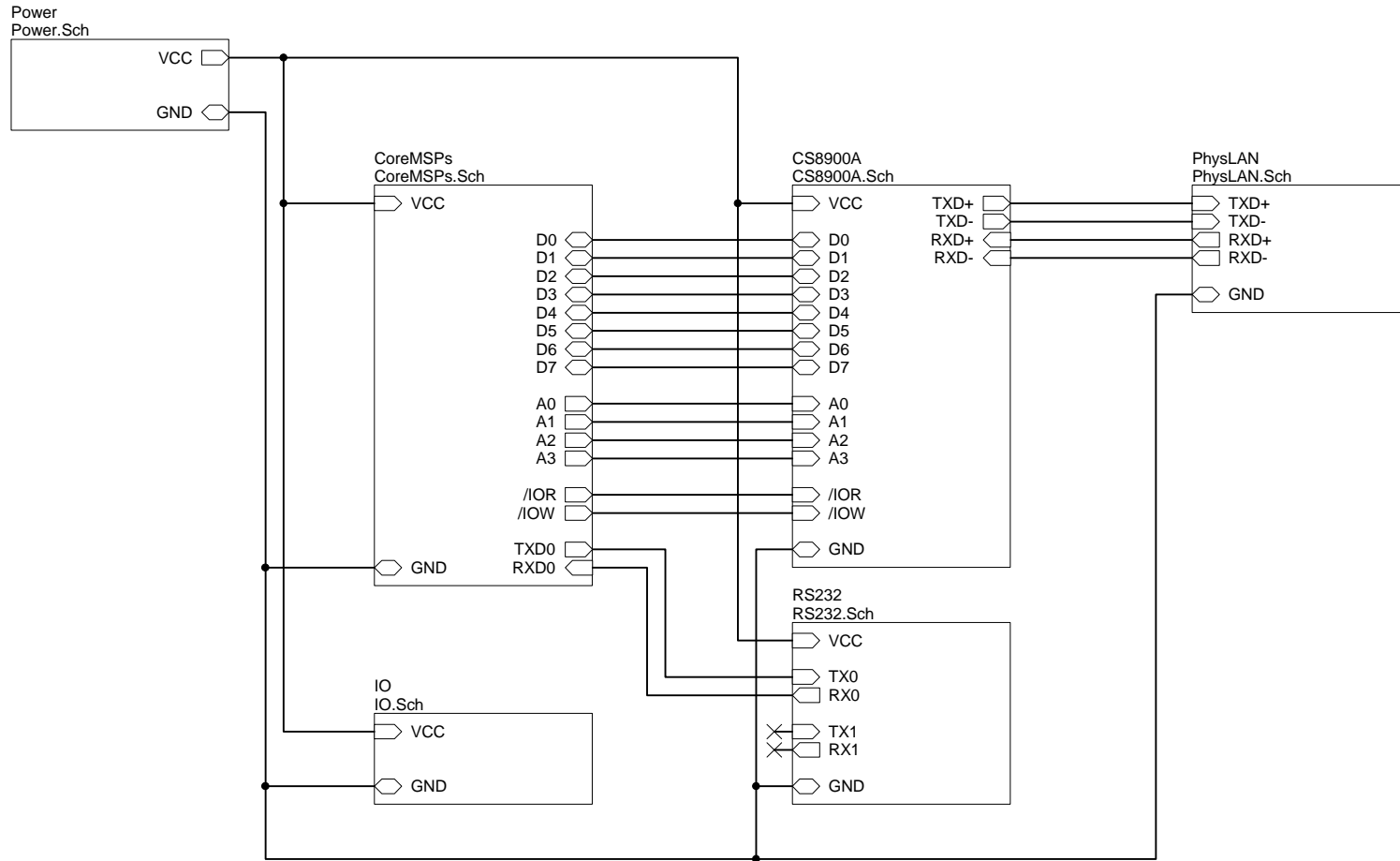


Project Overview

TCP430

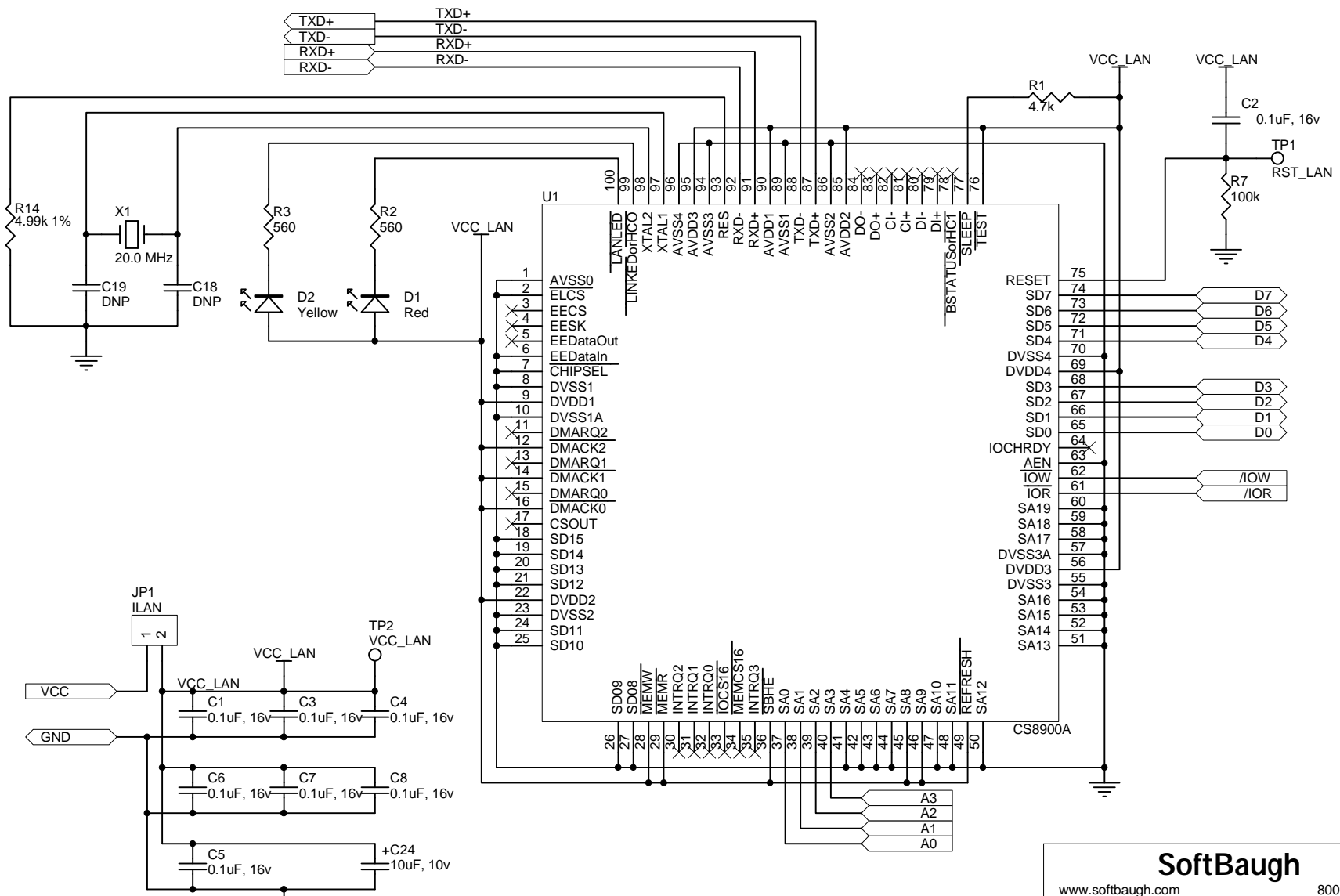


SoftBaugh
 www.softbaugh.com 800 794-5756
 Sheet: Project Overview
 Project: TCP430 MSP430 TCP/IP Demo Board
 Date: 6-Jun-2006 1 of 8 v. 1.1

LOGO
LOGO1

CS8900A

TCP430



SoftBaugh

www.softbaugh.com 800 794-5756

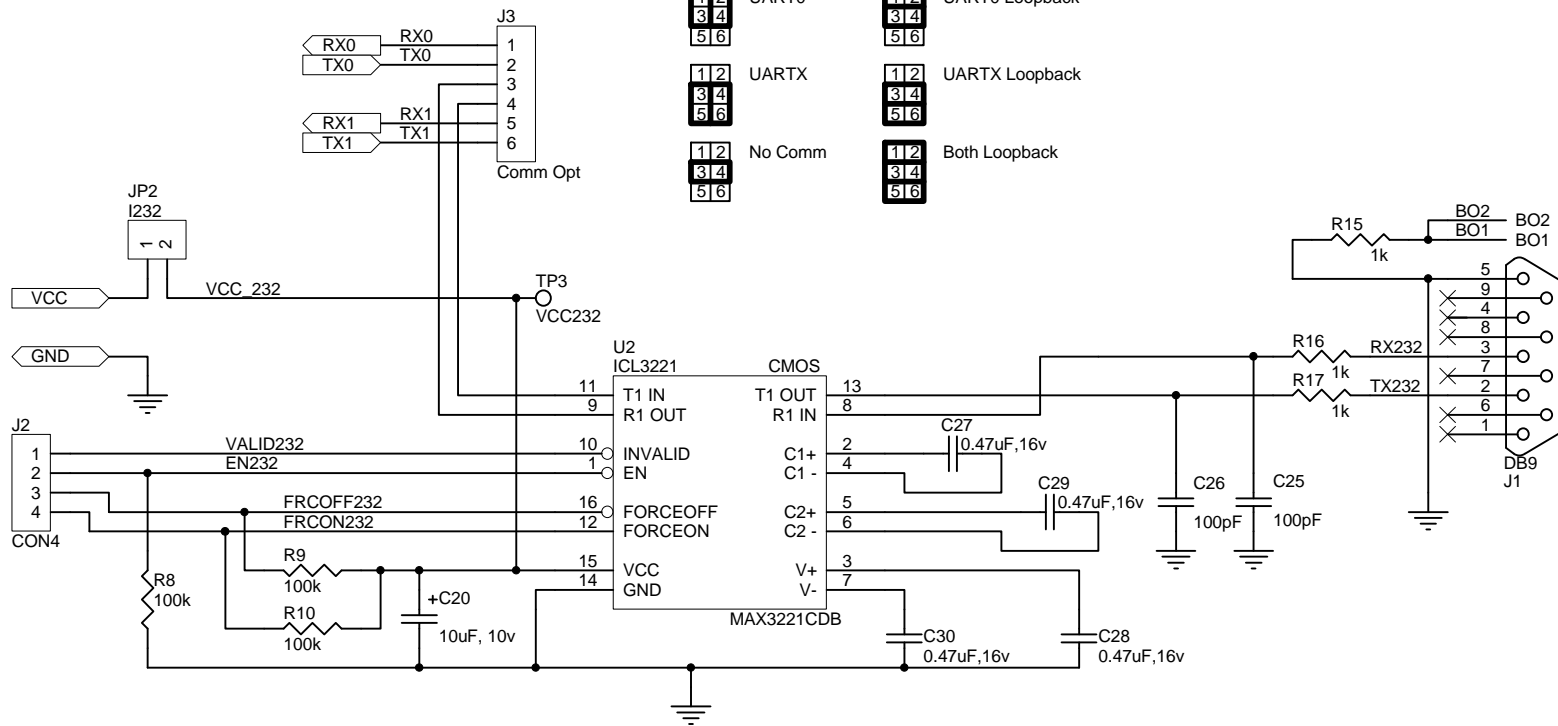
Sheet: CS8900A			
Project: TCP430 MSP430 TCP/IP Demo Board			
Date: 6-Jun-2006	2	of 8	v. 1.1

RS232 Interface

TCP430

Communication Configuration Header

1 2	UART0	1 2	UART0 Loopback
3 4		3 4	
5 6		5 6	
1 2	UARTX	1 2	UARTX Loopback
3 4		3 4	
5 6		5 6	
1 2	No Comm	1 2	Both Loopback
3 4		3 4	
5 6		5 6	



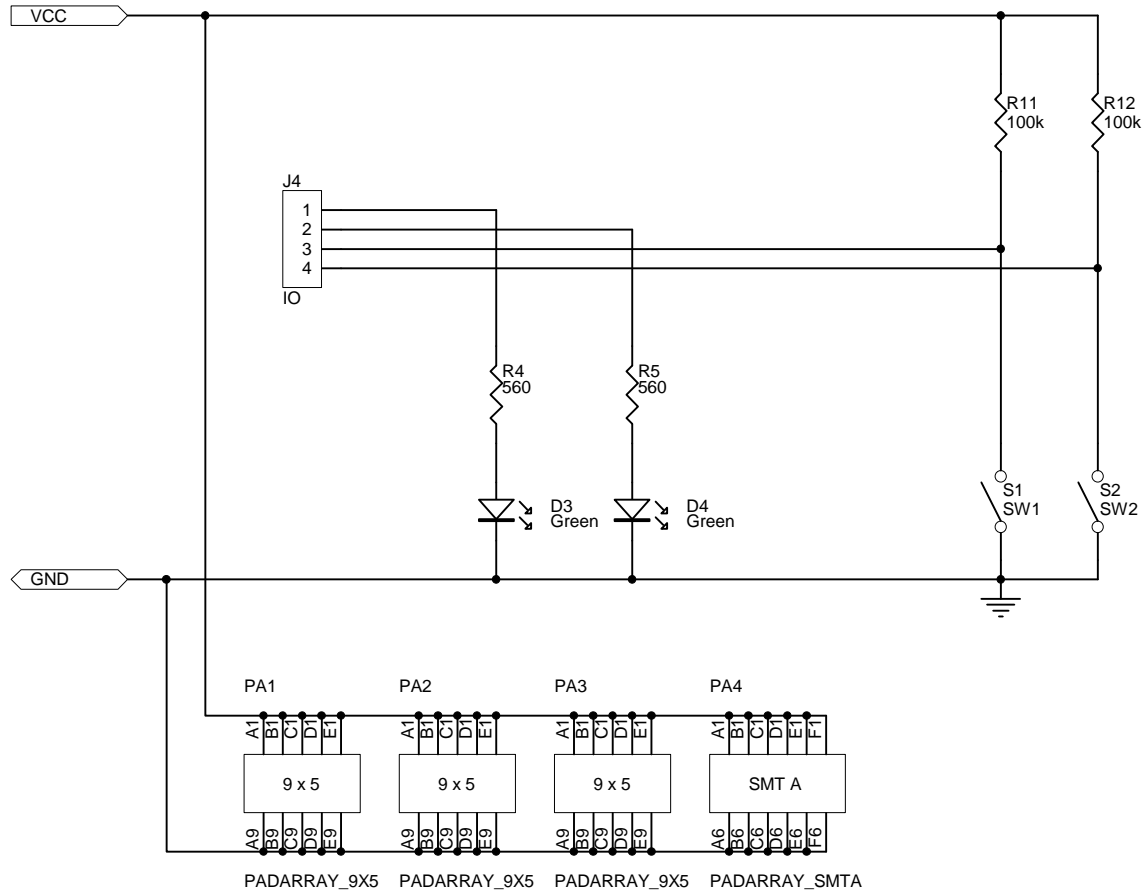
SoftBaugh

www.softbaugh.com 800 794-5756

Sheet: RS232 Interface
Project: TCP430 MSP430 TCP/IP Demo Board
Date: 6-Jun-2006 3 of 8 v. 1.1

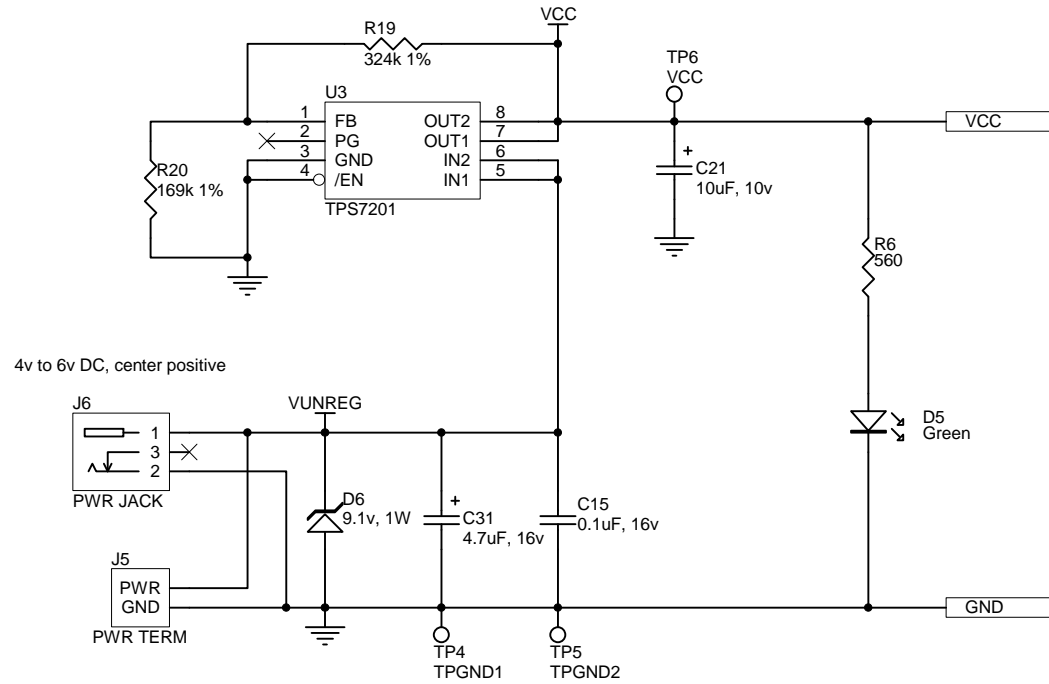
Input/Output

TCP430



Power Supply

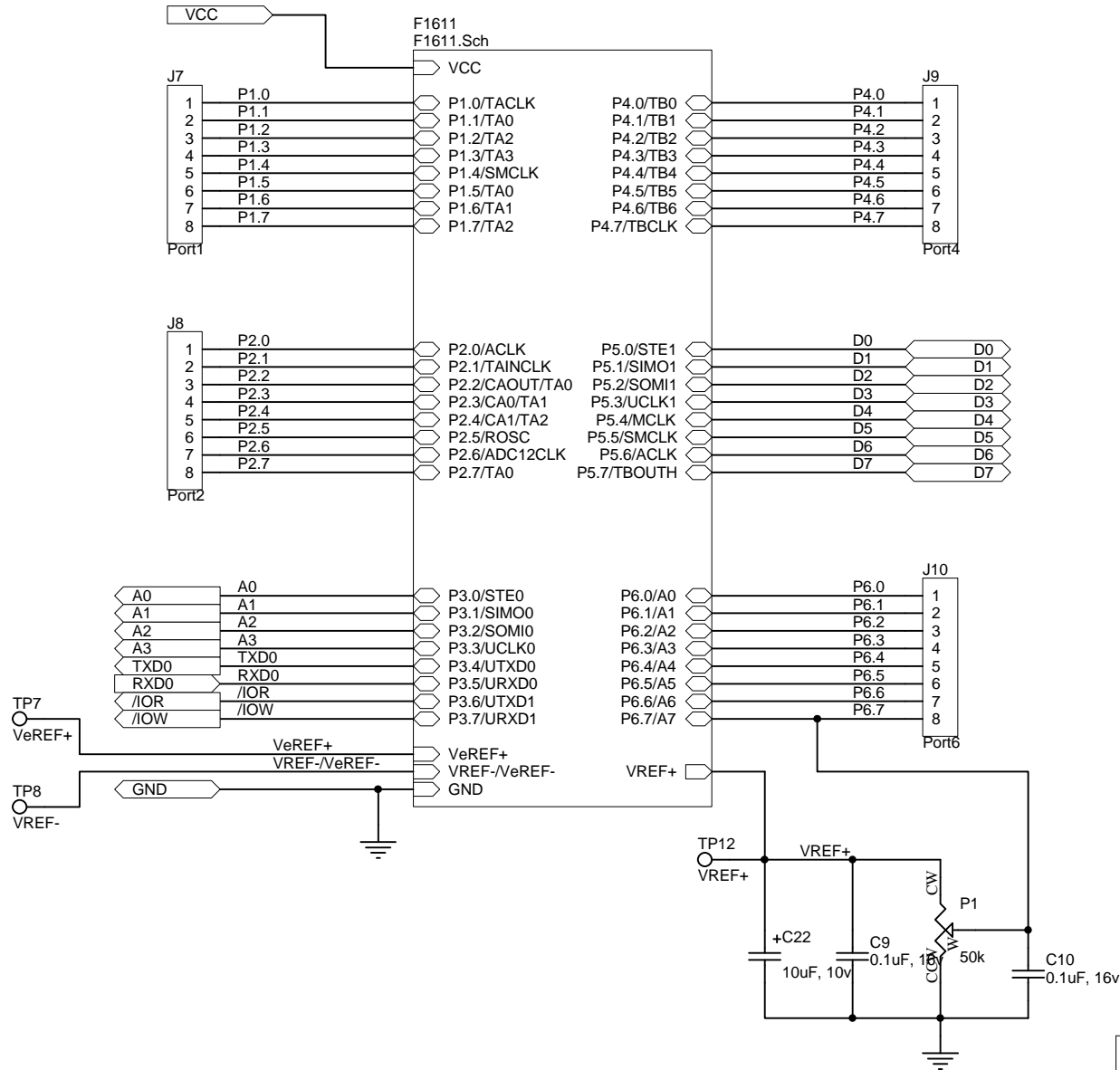
TCP430



SoftBaugh	
www.softbaugh.com	800 794-5756
Sheet: Power Supply	
Project: TCP430 MSP430 TCP/IP Demo Board	
Date: 6-Jun-2006	5 of 8 v. 1.1

Core MSP module

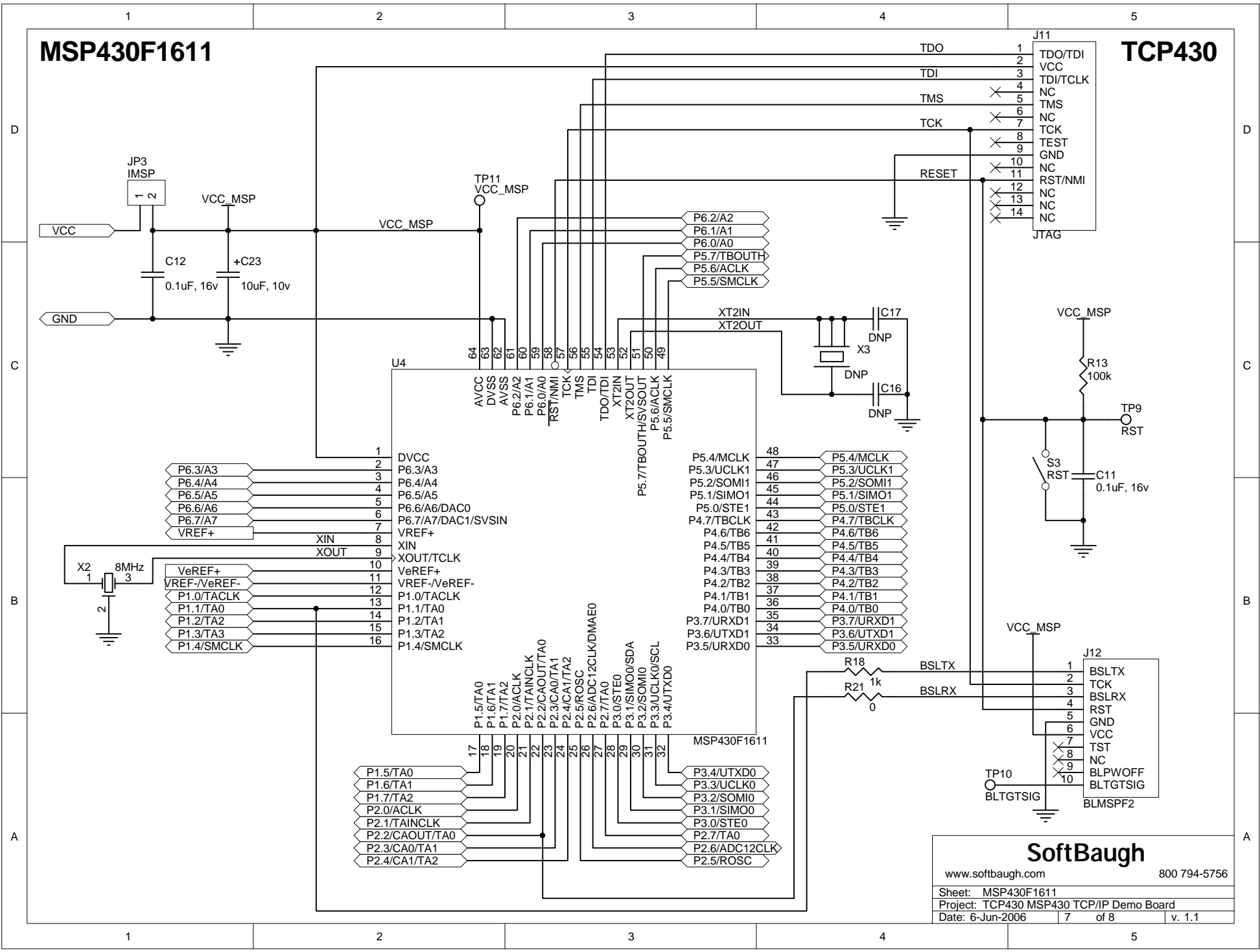
TCP430



SoftBaugh	
www.softbaugh.com	800 794-5756
Sheet: Core MSP module	
Project: TCP430 MSP430 TCP/IP Demo Board	
Date: 6-Jun-2006	6 of 8 v. 1.1

MSP430F1611

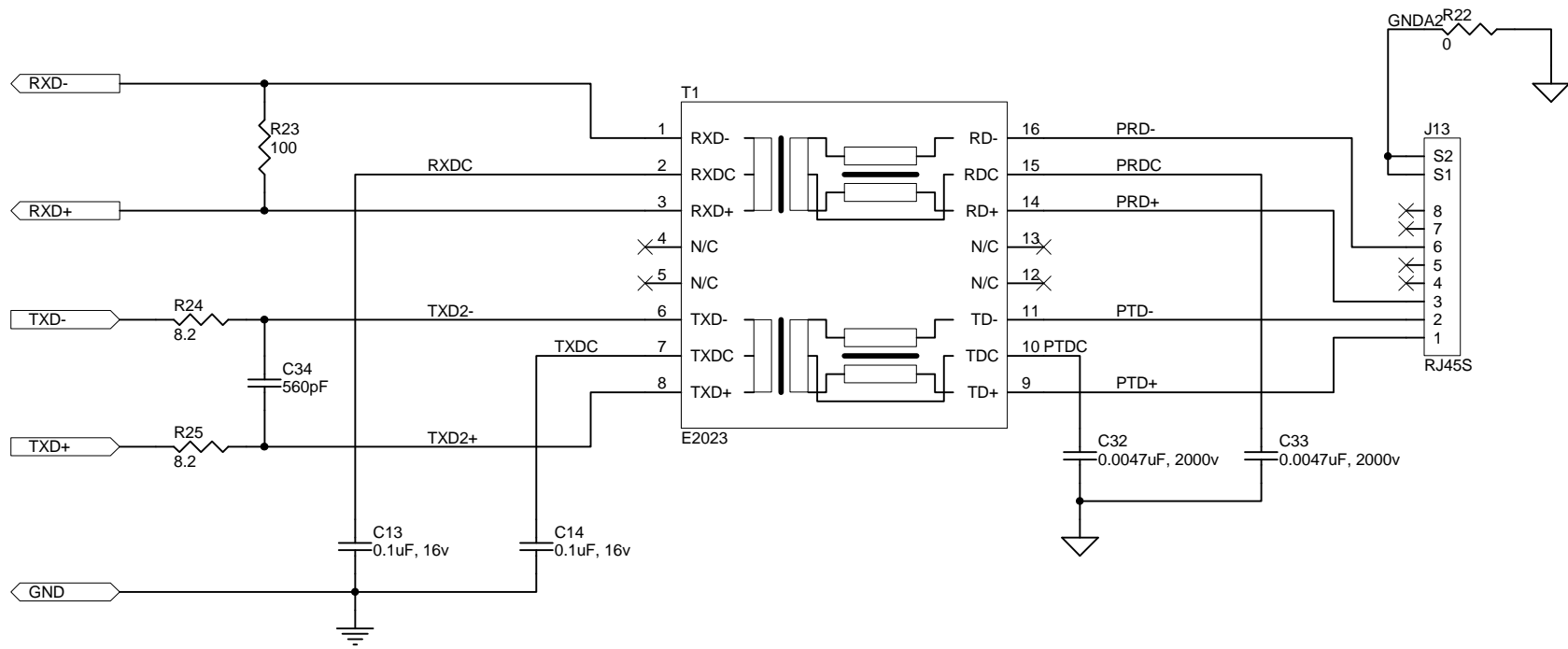
TCP430



SoftBaugh
 www.softbaugh.com 800 794-5756
 Sheet: MSP430F1611
 Project: TCP430 MSP430 TCP/IP Demo Board
 Date: 6-Jun-2006 7 of 8 v. 1.1

Physical LAN Interface

TCP430



SoftBaugh

www.softbaugh.com 800 794-5756

Sheet: Physical LAN Interface			
Project: TCP430 MSP430 TCP/IP Demo Board			
Date: 6-Jun-2006	8	of 8	v. 1.1